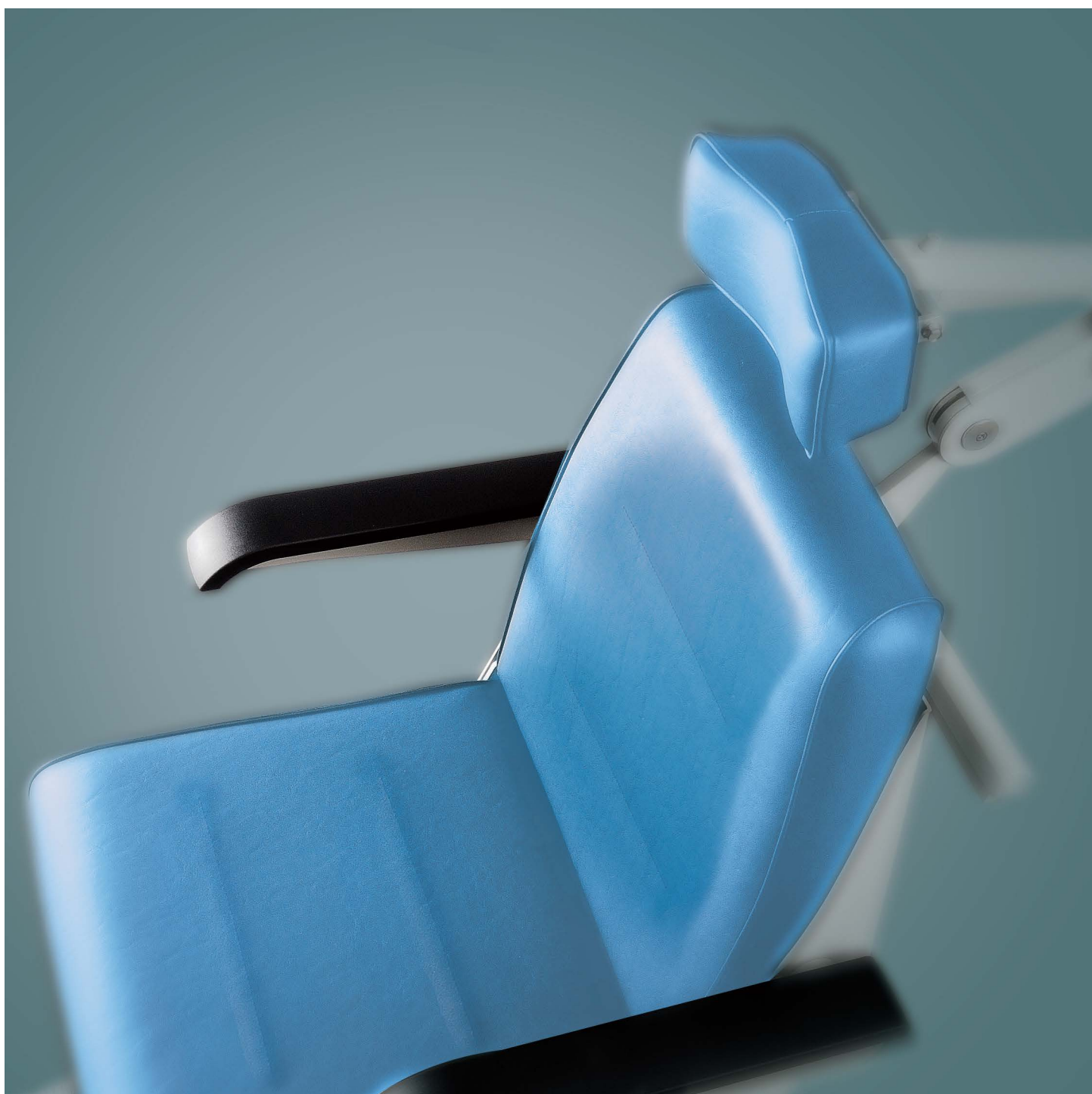




# Ophthalmic Chair UN-15

*Serving Your Vision*



# Ophthalmic Chair

## UN-15

Satisfaction guaranteed in everyday use for patient care.

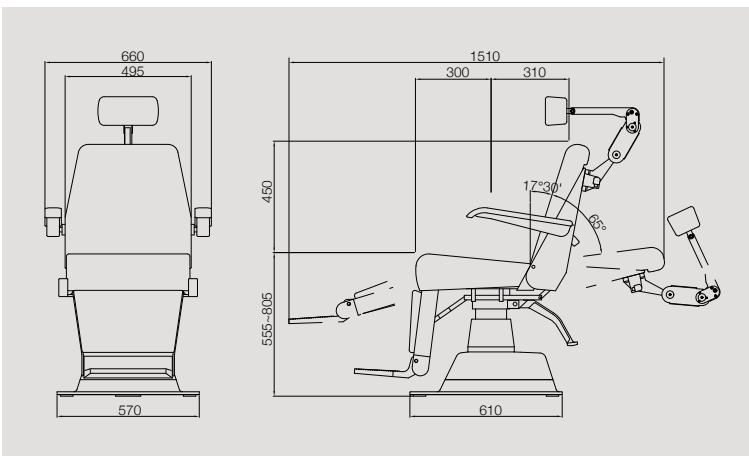
### Outstanding Features

1. A pneumatic-assisted manual recline mechanism uses patient's weight for easy reclining adjustments.
2. Recline capability includes a comfortable flat position, or any desirable position in between.
3. Single-handed headrest operation provides smooth patient headrest adjustment, and a unique lock indicator ensures that the headrest is locked firmly and securely in position.
4. TAKAGI standard fail-safe sealed hydraulic system ensures smooth, long-term operation.
5. Rear-positioned, foot-activated rotation lock is easily accessible from both sides.

### Specifications

Reclining angle	107.5° to 167.5°
Rotating angle	250°
Reclining	By power hydraulic pump motor.
Allowable Load	150kg
Power Supply	AC110V, 115V, 230V 50/60Hz
Power Consumption	690VA
Weight	110kg

### Dimensions



Single-handed headrest



Foot-activated rotation lock



Combined with Ophthalmic Stand SN-500

•Design and specifications are subject to change as improvements are made to the product.



For The Americas, Asia-Pacific & Middle East

**TAKAGI SEIKO CO., LTD.**

330-2 Iwafune, Nakano-shi, Nagano-ken, 383-8585, Japan  
TEL : +81(0)269-22-4511(Switchboard) URL : <https://www.takagi-j.com>

For Europe & Africa

**Takagi Ophthalmic Instruments Europe Ltd**

Citylabs 1.0, Nelson Street, Manchester, M13 9NQ, UK  
TEL : +44 (0)161 273 6330 URL : <https://www.takagieurope.com>



<https://www.takagi-global.com>

