



Full Reclining Chair UN-21

Serving Your Vision



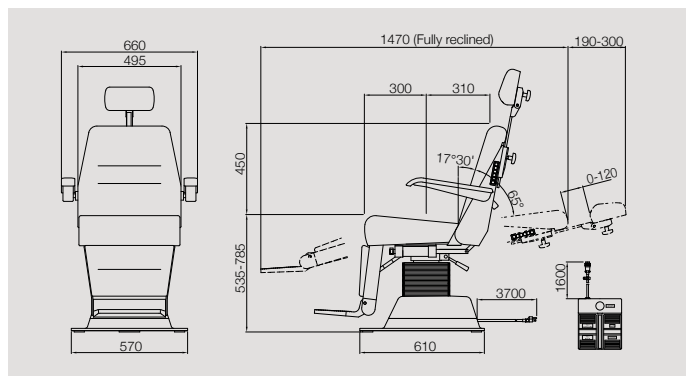
Full Reclining Chair UN-21



Specifications

Model name	UN-21 Full Reclining Chair
Rotation	30° clockwise, 225° counterclockwise from step side
Elevation	By power hydraulic pump motor.
Elevation stroke	250 mm
Reclining	By power hydraulic pump motor.
Reclining angle	65° from upright position.
Headrest vertical movement	120 mm
Head rest tilting	20° forward, 110° backward
Allowable load	150 kg
Power supply	AC 120, 230 V, 50/60 Hz
Power consumption	800 VA
Weight	121 kg

Dimensions



In combination with an operating microscope, the chair can be served as a bed for examination and treatment.

(An optional Connecting Arm (U21-02) is required to install an operating microscope.)

An AUTO-RETURN switch automatically returns the chair to its original position.

A standard memory mechanism can preselect one desirable tilt angle.

A standard foot switch controls lifting/lowering, back/forward tilting, and stopping positions of the chair.

The environmentally friendly leather is used for the compliance with RoHS Directive.

Leather fabric physical properties :

Alcohol resistance: Soaked in 70% ethanol water solution for 24 hours.

Hypochlorous acid resistance: Soaked in 0.5% hypochlorous acid for 24 hours.

Flameproof: Conforms to the flameproof product performance test standards of the Japan Fire Retardant Association.


Antibacterial, light resistance, and durability conform to JIS (Japanese Industrial Standards).

Optional Components



Attachment of Operating Microscope

Using Connecting Arm (U21-02), OM-6 can be attached.

 To ensure safe and correct handling please read the user manual before using.

•Description and appearance as detailed in this brochure may be subject to change as improvements are made to products.

•Colours as they appear in brochure photographs may be slightly different to actual products due to lighting conditions when photographs were taken, or print colours.



For The Americas, Asia-Pacific & Middle East

Takagi Seiko Co., Ltd

330-2 Iwafunie, Nakano-shi, Nagano-ken, 383-8585, Japan

TEL : +81(0)269-22-4511(Switchboard) URL : <https://www.takagi-j.com>



Your local distributor



For Europe & Africa

Takagi Ophthalmic Instruments Europe Ltd

Citylabs 1.0, Nelson Street, Manchester, M13 9NQ, UK

TEL : +44 (0)161 273 6330 URL : <https://www.takagi-europe.com>