



Mobile Slit Lamp Microscope MS1

Serving Your Vision

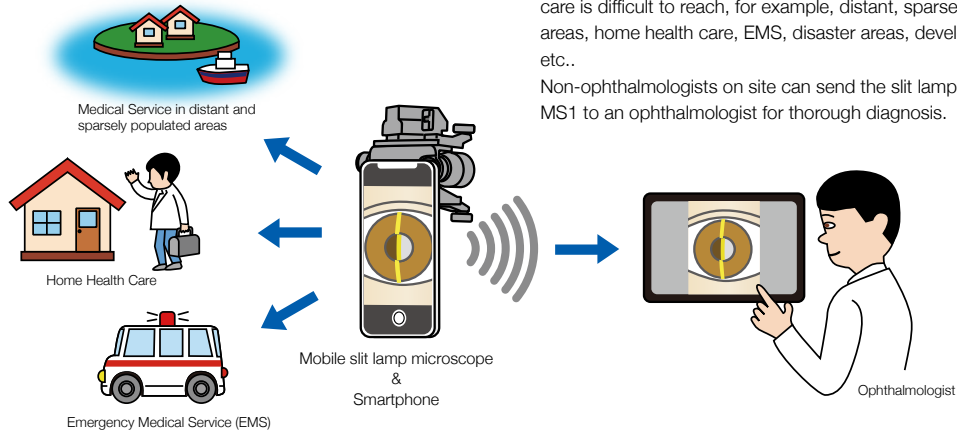


*This image is an example of installing a smartphone. A smartphone is NOT included in this product.

*The eye image is inserted into the smartphone screen by edit. The photo used was actually taken by MS1 and a smartphone.



Mobile Slit Lamp Microscope MS1



Wherever you are together with smartphone

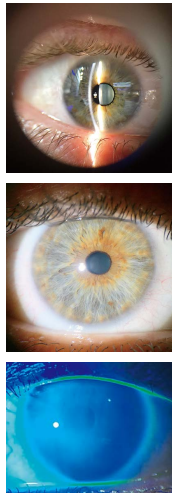
With a smartphone, not only ophthalmologists but also non-ophthalmologists can acquire slit lamp images anywhere eye medical care is difficult to reach, for example, distant, sparsely populated areas, home health care, EMS, disaster areas, developing countries, etc..

Non-ophthalmologists on site can send the slit lamp images taken by MS1 to an ophthalmologist for thorough diagnosis.

1 Equipped with Slit Lamp Basic Functions

High-brightness LED provides up to 40,000lux.
0.2mm width slit illumination from 30° left, ø14mm length illumination, a blue filter as standard, and wide area illumination by diffuser.

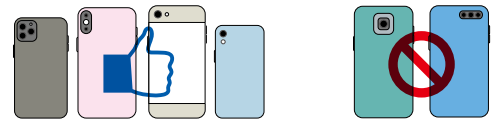
*Slit illumination width and illumination angle are not variable.



3 Various Smartphones Attachable

Most smartphones with the small protrusion camera lens fitted on the top left side of the phone can be used with MS1.

Attachable Smartphones

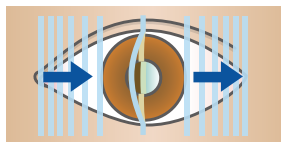


- Camera at upper left
- Small camera bump
- Camera at upper center
- Camera at upper right
- Large camera bump
- Foldable type etc.

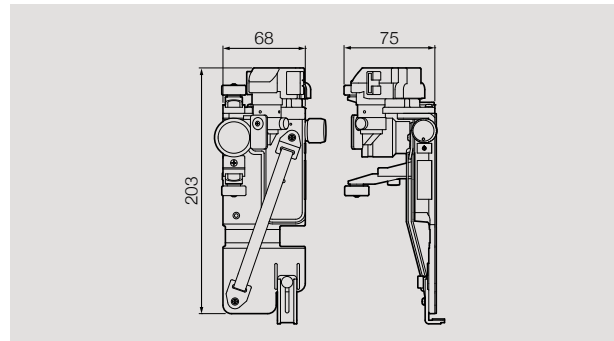
2 Excellent Usability

Forehead and cheek rests are designed to fix the device in position for stable photographing. The rollers at the tip of the forehead and cheek rests enable scanning/taking a video of eyeball from end to end.

*In case that a smartphone has the videography function.



Dimensions



Specifications

Slit illumination angle	30° fixed from left
Slit width, length	0.2mm, 14mm
Light-intensity control	Continuously variable, ON/OFF
Power supply	Two AAA batteries
Battery life	1.5H (When illumination is maximum and using Panasonic Eneloop AAA batteries)
Weight	230g (except a smartphone and batteries)

Co-Development: MITAS Medical Inc.
MS1 was co-developed with MITAS Medical Inc. A dedicated app is provided by MITAS Medical Inc.
MITAS Medical Inc.
8F Aoyama Tower Place 8-4-14, Akasaka, Minato-ku, Tokyo, 107-0052, Japan
URL: <https://www.mitasmedical.com/>
Email: info@mitasmedical.com

Design and specifications are subject to change as improvements are made to the product.



For The Americas, Asia-Pacific & Middle East
TAKAGI SEIKO CO., LTD.
330-2 Iwafune, Nakano-shi, Nagano-ken, 383-8585, Japan
TEL : +81(0)269-22-4511(Switchboard) URL : <https://www.takagi-j.com>

For Europe & Africa
Takagi Ophthalmic Instruments Europe Ltd
Citylabs 1.0, Nelson Street, Manchester, M13 9NQ, UK
TEL : +44 (0)161 273 6330 URL : <https://www.takagieurope.com>



<https://www.takagi-global.com>

