



OC-1A



OC-1B

## Hydraulic Medical Chair

OC-1A

OC-1B

*Serving Your Vision*



## Ideal chair for operators

# Hydraulic Medical Chair OC-1A/OC-1B

### Hard and thick cushion

Since the seat uses a hard and thick cushioning material, there is little sinking of the body, which helps with reducing tiredness even after long-term use.

### Special seat shape

The seat is of unique triangle shape which reduces the pressure on the rear thighs.

### Backrest to support the waist

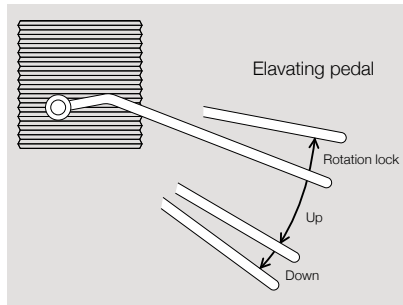
The backrest, which has been devised in the width and curvature that holds the upper part of the waist, not only receives the back, but also has the effect of maintaining a posture that can reduce the burden on the operator's waist.

### Simple elevating section

The foot-operated lift unit inherits the simple and highly durable mechanism from the previous model, and the foot pedal allows to perform easy and reliable lifting/lowering/swing lock (seat rotation lock).

### Armrest with cushion

The OC-1A armrest with cushion is slightly inclined inwards so that the arms are placed naturally.



### Caster with big diameter and wide width

Casters with big diameter and wide width reduce the resistance and enable the operator to move easily.

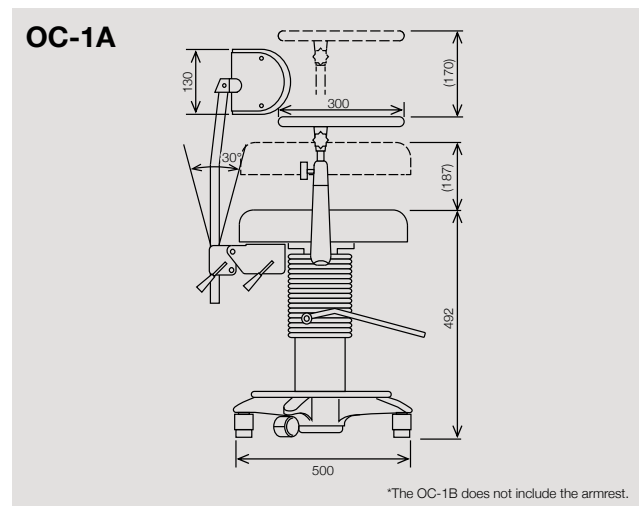
### Stable base section


Five arm shafts and a low center of gravity hydraulic mechanism form the stable base section.

## Specifications

<b>Model name</b>	OC-1A Hydraulic Medical Chair OC-1B Hydraulic Medical Chair
<b>Elevation method</b>	Pedal, hydraulic type
<b>Elevation stroke</b>	187 mm
<b>Backrest up/down stroke</b>	230 mm
<b>Seat size</b>	380 (W) × 390 (D) mm
<b>Armrest up/down and swing stroke</b>	Up/down 170 mm Swing 170°
<b>Load capacity</b>	135 kg
<b>Weight</b>	31 kg (OC-1A) 25.5 kg (OC-1B)

## Dimensions



 To ensure safe and correct handling please read the user manual before using.

- Description and appearance as detailed in this brochure may be subject to change as improvements are made to products.
- Colours as they appear in brochure photographs may be slightly different to actual products due to lighting conditions when photographs were taken, or print colours.



**For The Americas, Asia-Pacific & Middle East**  
**Takagi Seiko Co., Ltd**  
330-2 Iwafune, Nakano-shi, Nagano-ken, 383-8585, Japan  
TEL : +81(0)269-22-4511(Switchboard) URL : <https://www.takagi-j.com>

**For Europe & Africa**  
**Takagi Ophthalmic Instruments Europe Ltd**  
Citylabs 1.0, Nelson Street, Manchester, M13 9NQ, UK  
TEL : +44 (0)161 273 6330 URL : <https://www.takagi-europe.com>



Your local distributor