



Ophthalmic Chair UN-15

Serving Your Vision



Ophthalmic Chair

UN-15

Satisfaction guaranteed in everyday use for patient care.

Outstanding Features

A pneumatic-assisted manual recline mechanism uses patient's weight for easy reclining adjustments.

Recline capability includes a comfortable flat position, or any desirable position in between.

Single-handed headrest operation provides smooth patient headrest adjustment, and a unique lock indicator ensures that the headrest is locked firmly and securely in position.

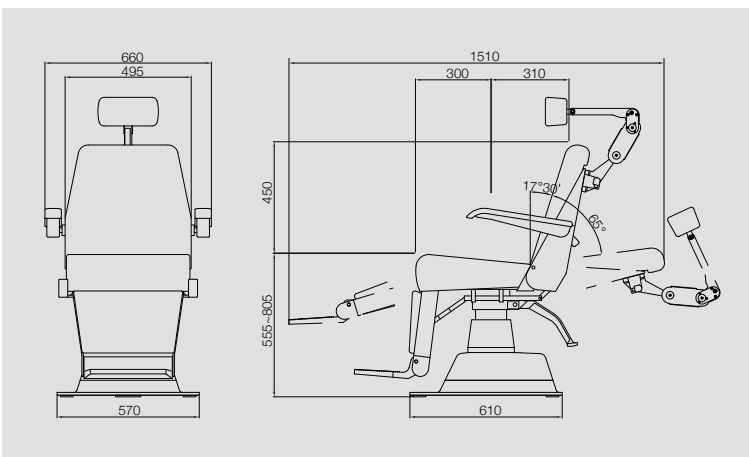
TAKAGI standard fail-safe sealed hydraulic system ensures smooth, long-term operation.

Rear-positioned, foot-activated rotation lock is easily accessible from both sides.

Specifications

Model name	UN-15 Ophthalmic Chair
Reclining angle	107.5° to 167.5°
Rotating angle	250°
Reclining	By power hydraulic pump motor.
Allowable load	150 kg
Power supply	AC 110, 115, 230 V, 50/60 Hz
Power consumption	690 VA
Weight	110 kg

Dimensions




Single-handed headrest



Foot-activated rotation lock



Combined with Ophthalmic Stand SN-500

 To ensure safe and correct handling please read the user manual before using.

- Description and appearance as detailed in this brochure may be subject to change as improvements are made to products.
- Colours as they appear in brochure photographs may be slightly different to actual products due to lighting conditions when photographs were taken, or print colours.

 **For The Americas, Asia-Pacific & Middle East**
Takagi Seiko Co., Ltd
 330-2 Iwafune, Nakano-shi, Nagano-ken, 383-8585, Japan
 TEL : +81(0)269-22-4511(Switchboard) URL : <https://www.takagi-j.com>



Your local distributor

 **For Europe & Africa**
Takagi Ophthalmic Instruments Europe Ltd
 Citylabs 1.0, Nelson Street, Manchester, M13 9NQ, UK
 TEL : +44 (0)161 273 6330 URL : <https://www.takagi-europe.com>